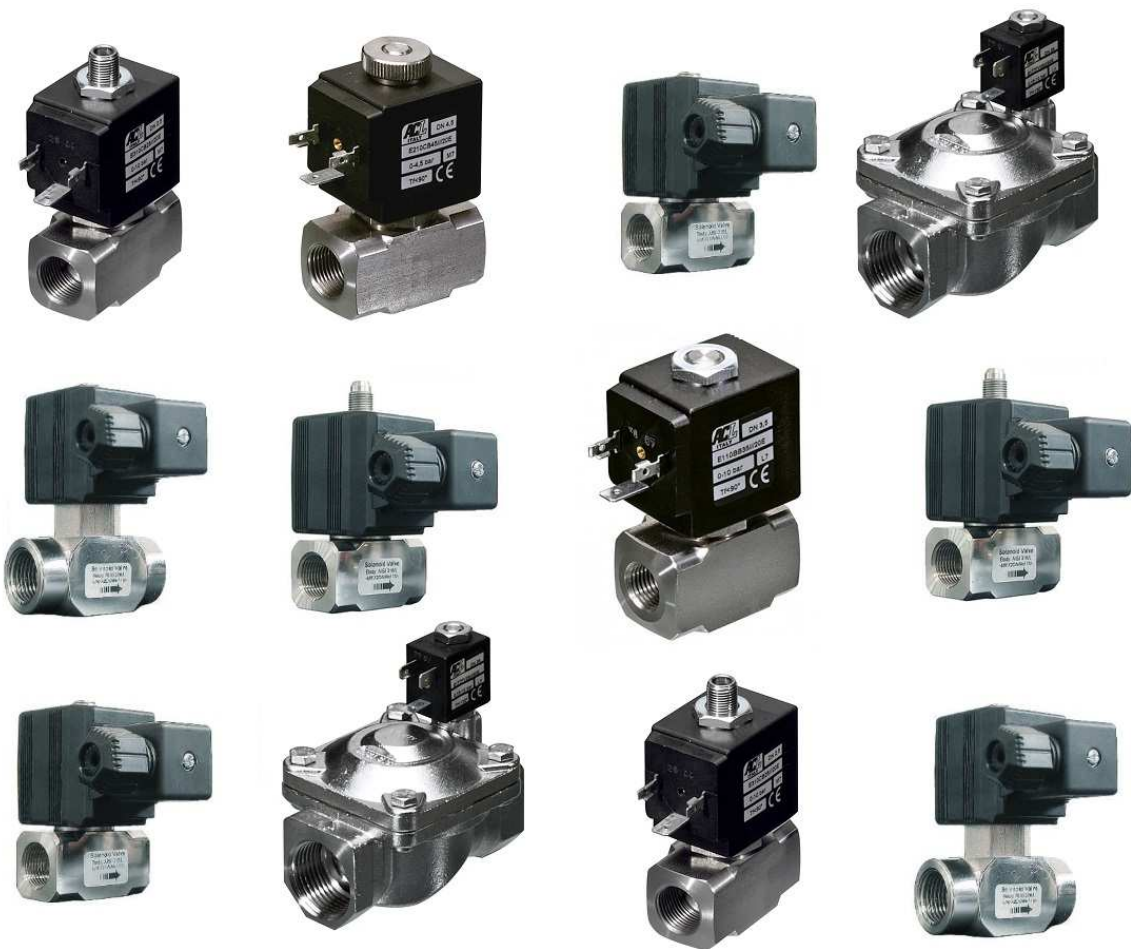


Stainless Steel Solenoid Valves For Coffee & Steam Applications



Available from

Beta Valve

BetaValve.com

01494 459 511

Sales@betavalve.com

Park House Business Centre, Desborough Park Road, High Wycombe Bucks HP12 3DJ

DESCRIPTION

Solenoid valve 2 way normally closed
direct acting poppet type

CONSTRUCTION

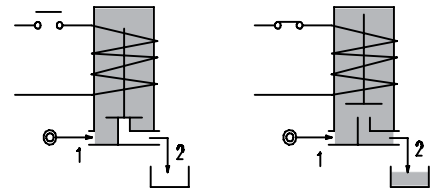
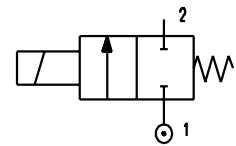
Body	Stainless steel
Armature tube	Stainless steel
Plunger and core	Stainless steel
Springs	Stainless steel
Seal material	NBR FPM EPDM PTFE



2

FEATURES

Maximum allowable pressure 100bar*
 Maximum fluid viscosity 25cSt (mm²/s)
 Ambient temperature: with class F coil -10°C +55°C
 with class H coil -10°C +80°C
 Universal mounting position



OPTIONS: Silver shading ring
Version for use with oxygen

CODE ① ②	Connection G ISO 228	Orifice mm	Kv m ³ /h	Differential pressure bar			Nominal power			Coil		Seal ①	Temp. range °C
				Min	Max		AC Inrush	VA Holding	DC Watt	Series	Width		
					AC	DC							
E110B...20///...	1/4"	2	0.1	0	22	20	20	15	10	2	30	NBR=B	-10 +90
E110B...25///...		2.5	0.15	0	16	14							
E110B...35///...		3.5	0.32	0	10	8							
E110B...45///...		4.5	0.41	0	6.5	3.5							
E110B...52///...		5.2	0.47	0	4	1.8							
E110C...20///...	3/8"	2	0.1	0	22	20	20	15	10	2	30	NBR=B	-10 +90
E110C...35///...		3.5	0.32	0	10	8							
E110C...52///...		5.2	0.47	0	4	1.8							
E110C...64///...		6.4	0.64	0	3.5	1							
E110D...20///...	1/2"	2	0.1	0	22	20	20	15	10	2	30	EPDM=E	-10 +140
E110D...35///...		3.5	0.32	0	10	8							
E110D...52///...		5.2	0.47	0	4	1.8							
E110D...64///...		6.4	0.64	0	3.5	1							
E110B...20///...	1/4"	2	0.1	0	50	40	40	30	27	5	36	PTFE=W ③	-10 +180
E110B...25///...		2.5	0.15	0	35	33							
E110B...35///...		3.5	0.32	0	20	19							
E110B...45///...		4.5	0.41	0	14	13							
E110B...52///...		5.2	0.47	0	10	9							
E110C...20///...	3/8"	2	0.1	0	50	40	40	30	27	5	36	PTFE=W ③	-10 +180
E110C...35///...		3.5	0.32	0	20	19							
E110C...52///...		5.2	0.47	0	10	9							
E110C...64///...		6.4	0.64	0	5	4.5							
E110D...20///...	1/2"	2	0.1	0	50	40	40	30	27	5	36	PTFE=W ③	-10 +180
E110D...35///...		3.5	0.32	0	20	19							
E110D...52///...		5.2	0.47	0	10	9							
E110D...64///...		6.4	0.64	0	5	4.5							

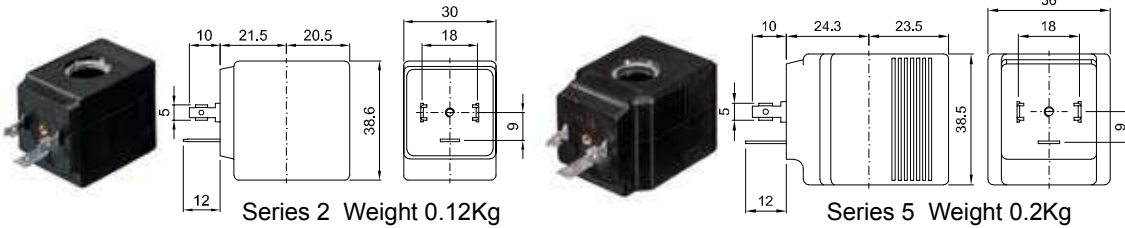
① Seal Example: E110BE35///20E EPDM seal
 ② Coil Coil 230V 50/60Hz

* REMARK: The maximum allowable pressure PS for steam is 6bar with PTFE seals and 2,5bar with EPDM seals

COILS	Alternating Current 50/60Hz Volt							Direct Current Volt			Electrical connection	Connectors
	12	24	48	110	220 230	240	380	12	24	48		
Series 2 Width 30 Code ②	20A	20B	20C	20D	20E	20F	20G	200	201	202	DIN 43650A	PG9 code 10349000
Series 5 Width 36 Code ②	52A	52B	52C	52D	52E	52F	52G	520	521	522	DIN 43650A	PG11 code 10349001

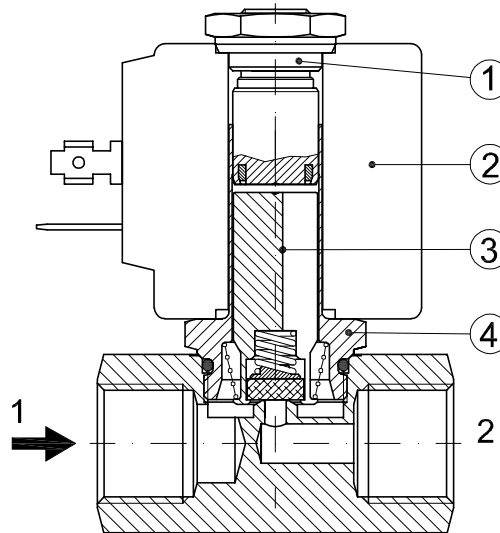
DESCRIPTION
 Insulation class
 Series 2 =F Series 5=H
 Voltage tolerance
 AC +15% -10%
 DC ± 10%
 Protection class
 IP65 with connector fitted
 IP00 without connector
 Continuous service ED100%

OPTIONS
 Class H insulation (series 2)
 Cable attached
 Special coil voltage
 Special coil powers

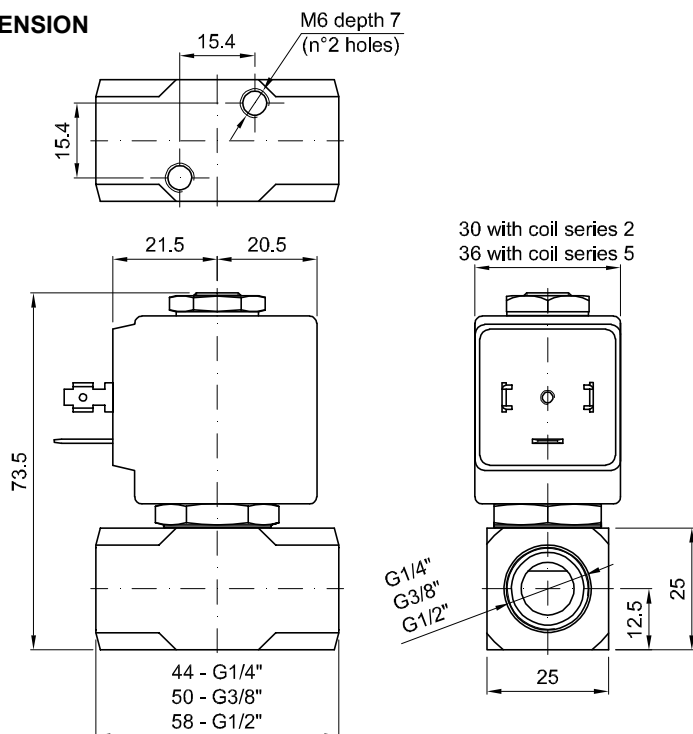


SPARE PARTS LIST

1. Coil fixing nut
2. Coil
3. Plunger
4. Armature tube with core



OVERALL DIMENSION



Weight with coil series 2=0.36Kg
 Weight with coil series 5=0.44Kg

DESCRIPTION

Solenoid valve 2 way normally open
direct acting poppet type

CONSTRUCTION

Body	Stainless steel
Armature tube	Stainless steel
Plunger and core	Stainless steel
Springs	Stainless steel
Seal material	NBR FPM EPDM

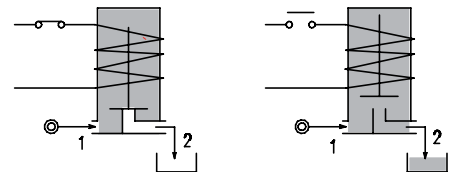
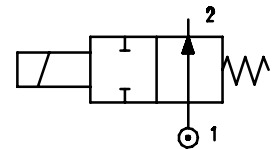


2

FEATURES

Maximum allowable pressure 50bar*
 Maximum fluid viscosity 25cSt (mm²/s)
 Ambient temperature: with class F coil -10°C +55°C
 with class H coil -10°C +80°C
 Universal mounting position

OPTIONS: Silver shading ring



CODE ① ②	Connection G ISO 228	Orifice mm	Kv m ³ /h	Differential pressure bar			Nominal power			Coil		Seal ①	Temp. range °C	
				Min	Max		AC Inrush	VA Holding	DC Watt	Series	Width			
					AC	DC								
E210B...20///...	1/4"	2	0.1	0	16	-	20	15	-	2	30	NBR=B EPDM=E FPM=V	-10 +90	
E210B...25///...		2.5	0.15	0	10	-								
E210B...35///...		3.5	0.32	0	7	-								
E210B...45///...		4.5	0.41	0	4.5	-								
E210B...52///...		5.2	0.47	0	3	-								
E210B...20///...	1/4"	2	0.1	0	16	16	40	30	27	5	36			-10 +140
E210B...25///...		2.5	0.15	0	10	10								
E210B...35///...		3.5	0.32	0	7	7								
E210B...45///...		4.5	0.41	0	4.5	4.5								
E210B...52///...		5.2	0.47	0	3	3								
D210B...20///...	1/4"	2	0.1	0	-	16	-	-	10	2	30	-10 +130		
D210B...25///...		2.5	0.15	0	-	10								
D210B...35/3/...		3.5	0.32	0	-	4								
D210B...45/3/...		4.5	0.41	0	-	3								
D210B...52/3/...		5.2	0.47	0	-	2.2								

- ① Seal
- ② Coil

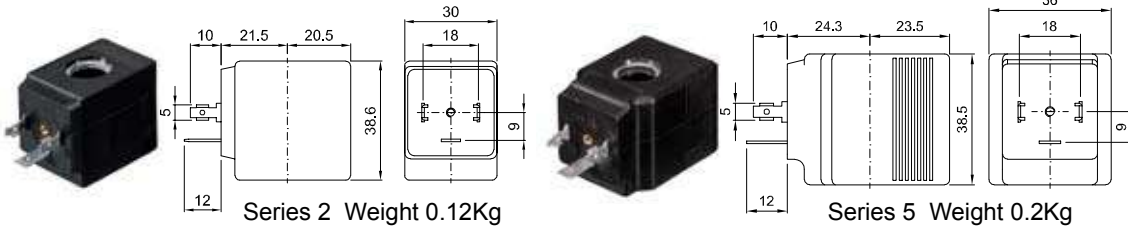
Example: E210BB20///201 NBR seal
Coil 24V DC

* REMARK: The maximum allowable pressure PS for steam is 2,5bar (gauge pressure)

COILS	Alternating Current 50/60Hz Volt							Direct Current Volt			Electrical connection	Connectors
	12	24	48	110	220 230	240	380	12	24	48		
Series 2 Width 30 Code ②	20A	20B	20C	20D	20E	20F	20G	200	201	202	DIN 43650A	PG9 code 10349000
Series 5 Width 36 Code ②	52A	52B	52C	52D	52E	52F	52G	520	521	522	DIN 43650A	PG11 code 10349001

DESCRIPTION
 Insulation class
 Series 2 =F Series 5=H
 Voltage tolerance
 AC +15% -10%
 DC ± 10%
 Protection class
 IP65 with connector fitted
 IP00 without connector
 Continuous service ED100%

OPTIONS
 Class H insulation (series 2)
 Cable attached
 Special coil voltage
 Special coil powers

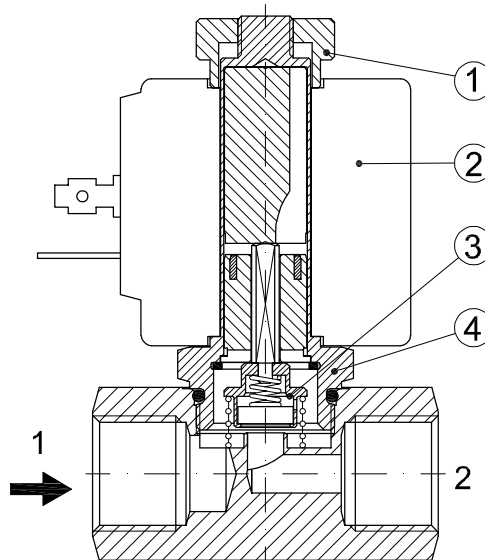


Series 2 Weight 0.12Kg

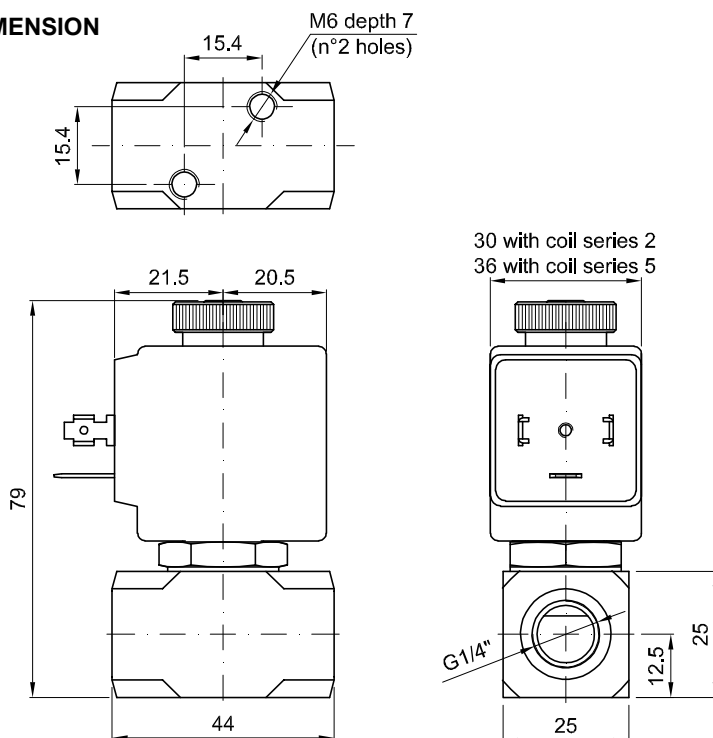
Series 5 Weight 0.2Kg

SPARE PARTS LIST

1. Coil fixing nut
2. Coil
3. Seal assembly
4. Armature tube with core



OVERALL DIMENSION



Weight with coil series 2=0.30Kg
 Weight with coil series 5=0.38Kg

DESCRIPTION

Solenoid valve 2 way normally open
direct acting poppet type

CONSTRUCTION

Body	Stainless steel
Armature tube	Stainless steel
Plunger and core	Stainless steel
Springs	Stainless steel
Seal material	NBR
	FPM
	EPDM

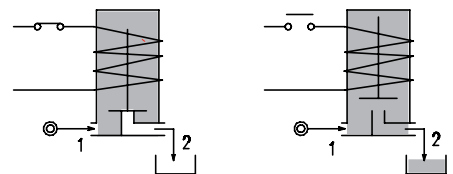
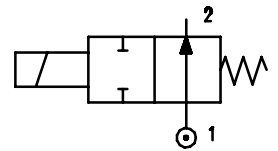


2

FEATURES

Maximum allowable pressure 50bar*
 Maximum fluid viscosity 25cSt (mm²/s)
 Ambient temperature: with class F coil -10°C +55°C
 with class H coil -10°C +80°C
 Universal mounting position

OPTIONS: Silver shading ring



CODE ① ②	Connection G ISO 228	Orifice mm	Kv m ³ /h	Differential pressure bar			Nominal power			Coil		Seal ①	Temp. range °C		
				Min	Max		AC Inrush	VA Holding	DC Watt	Series	Width				
					AC	DC									
E210C...20///...	3/8"	2	0.1	0	16	-	20	15	-	2	30	NBR=B EPDM=E FPM=V	-10 +90		
E210C...35///...		3.5	0.32	0	7	-									
E210C...52///...		5.2	0.47	0	3	-									
E210D...20///...	1/2"	2	0.1	0	16	-									
E210D...35///...		3.5	0.32	0	7	-									
E210D...52///...		5.2	0.47	0	3	-									
E210C...20///...	3/8"	2	0.1	0	16	16	40	30	27	5	36			NBR=B EPDM=E FPM=V	-10 +90
E210C...35///...		3.5	0.32	0	7	7									
E210C...52///...		5.2	0.47	0	3	3									
E210C...64///...		6.4	0.64	0	3.5	3.5									
E210D...20///...	1/2"	2	0.1	0	16	16									
E210D...35///...		3.5	0.32	0	7	7									
E210D...52///...		5.2	0.47	0	3	3									
E210D...64///...		6.4	0.64	0	3.5	3.5									
D210C...20///...	3/8"	2	0.1	0	-	16	-	-	10	2	30	NBR=B EPDM=E FPM=V	-10 +90		
D210C...35/3/...		3.5	0.32	0	-	4									
D210C...52/3/...		5.2	0.47	0	-	2.2									
D210D...20///...	1/2"	2	0.1	0	-	16									
D210D...35/3/...		3.5	0.32	0	-	4									
D210D...52/3/...		5.2	0.47	0	-	2.2									

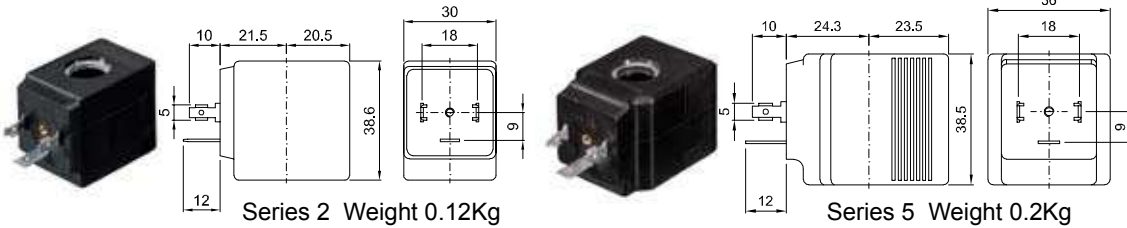
① Seal Example: E210DB///201 NBR seal
 ② Coil Coil 24V DC

* REMARK: The maximum allowable pressure PS for steam is 2,5bar (gauge pressure)

COILS	Alternating Current 50/60Hz Volt							Direct Current Volt			Electrical connection	Connectors
	12	24	48	110	220 230	240	380	12	24	48		
Series 2 Width 30 Code ②	20A	20B	20C	20D	20E	20F	20G	200	201	202	DIN 43650A	PG9 code 10349000
Series 5 Width 36 Code ②	52A	52B	52C	52D	52E	52F	52G	520	521	522	DIN 43650A	PG11 code 10349001

DESCRIPTION
 Insulation class
 Series 2 =F Series 5=H
 Voltage tolerance
 AC +15% -10%
 DC ± 10%
 Protection class
 IP65 with connector fitted
 IP00 without connector
 Continuous service ED100%

OPTIONS
 Class H insulation (series 2)
 Cable attached
 Special coil voltage
 Special coil powers

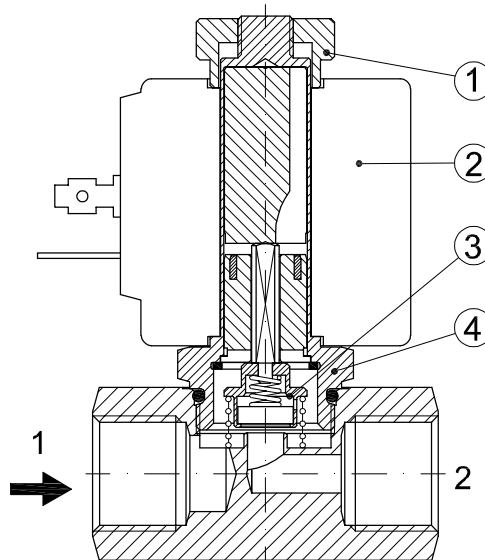


Series 2 Weight 0.12Kg

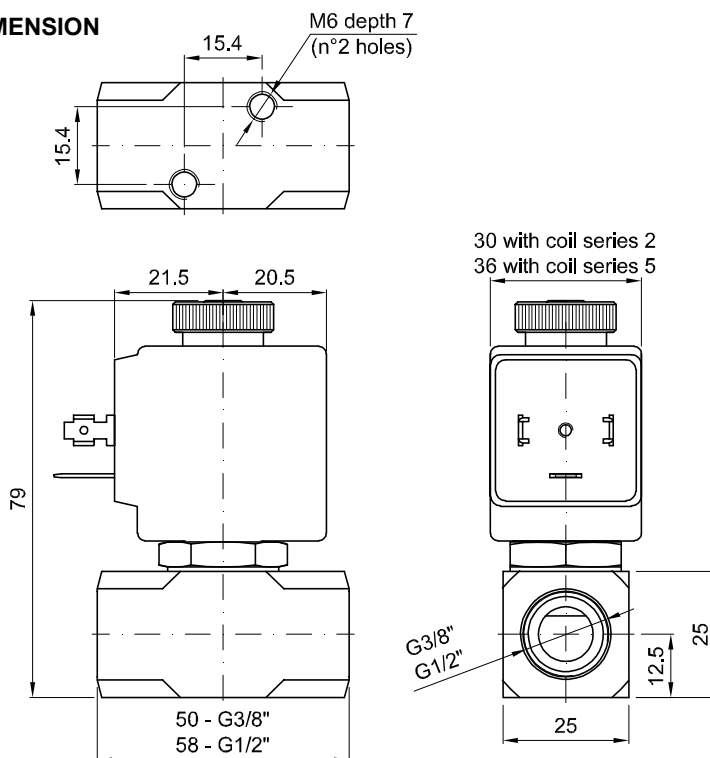
Series 5 Weight 0.2Kg

SPARE PARTS LIST

1. Coil fixing nut
2. Coil
3. Seal assembly
4. Armature tube with core



OVERALL DIMENSION



Weight with coil series 2=0.30Kg
 Weight with coil series 5=0.38Kg

DESCRIPTION

Solenoid valve 3 way
direct acting poppet type

CONSTRUCTION

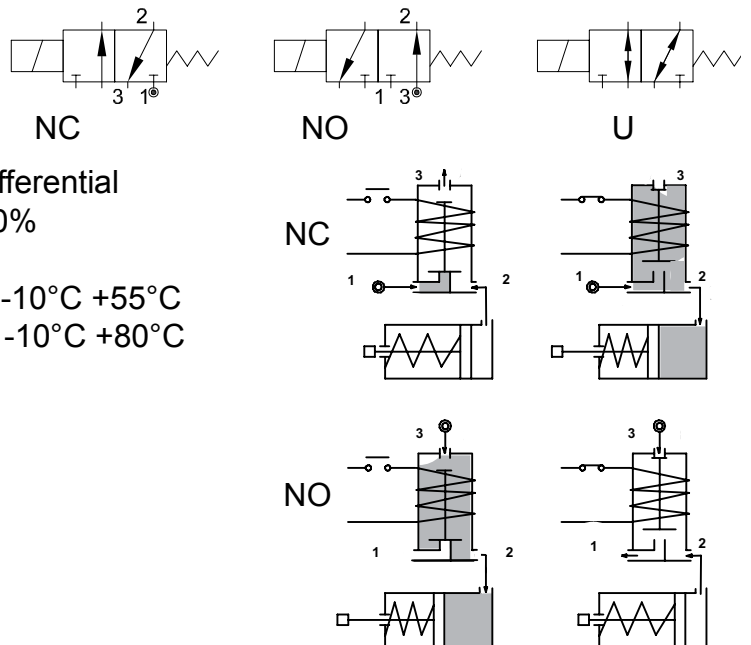
Body	Stainless steel
Armature tube	Stainless steel
Plunger and core	Stainless steel
Springs	Stainless steel
Seal material	NBR FPM EPDM



FEATURES

Maximum allowable pressure : maximum differential pressure +10%
 Maximum fluid viscosity 25cSt (mm²/s)
 Ambient temperature: with class F coil -10°C +55°C
 with class H coil -10°C +80°C
 Universal mounting position

OPTIONS: Silver shading ring



3

CODE ① ②	Connection G ISO 228	Orifice mm		Kv m ³ /h	Differential pressure bar			Nominal power			Coil		Seal ①	Temp. range °C
		Inlet	Exh.		Min	Max AC DC		AC Inrush	VA Holding	DC Watt	Series	Width		
NC Normally closed														
E310B...20///...	1/4"	2	2.4	0.11	0	13	13	20	15	10	2	30	NBR=B	-10 +90
E310B...25///...		2.5	2.4	0.16	0	10	10							
NO Normally open														
E310B...25/S/...	1/4"	2.4	2.5	0.16	0	9	9	20	15	10	2	30	EPDM=E	-10 +140
E310B...29/S/...		2.9	3	0.20	0	6.5	6.5							
U Universal														
E310B...25/G/...	1/4"	2.5	2.4	0.16	0	5	4	20	15	10	2	30	FPM=V	-10 +130

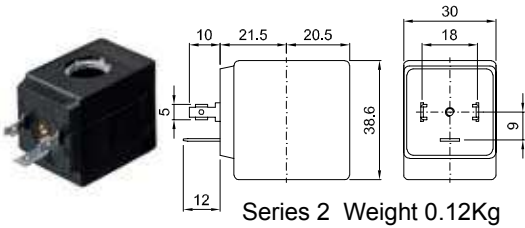
- ① Seal
- ② Coil

Example: E310BV15///20B FPM seal Coil 24V 50/60Hz NC
 E310BB24/S/201 NBR seal Coil 24V DC NO

COILS	Alternating Current 50/60Hz Volt							Direct Current Volt			Electrical connection	Connectors
	12	24	48	110	220 230	240	380	12	24	48		
Series 2 Width 30 Code ②	20A	20B	20C	20D	20E	20F	20G	200	201	202	DIN 43650A	PG9 code 10349000

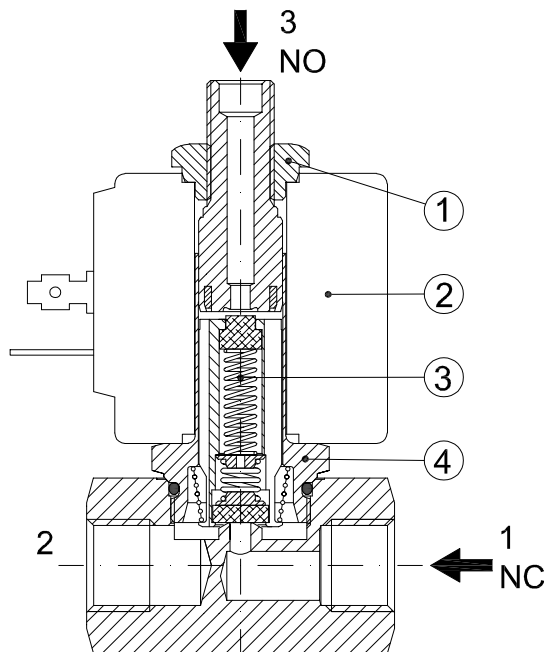
DESCRIPTION
 Insulation class
 Series 2 =F Series 5=H
 Voltage tolerance
 AC +15% -10%
 DC ± 10%
 Protection class
 IP65 with connector fitted
 IP00 without connector
 Continuous service ED100%

OPTIONS
 Class H insulation (series 2)
 Cable attached
 Special coil voltage
 Special coil powers

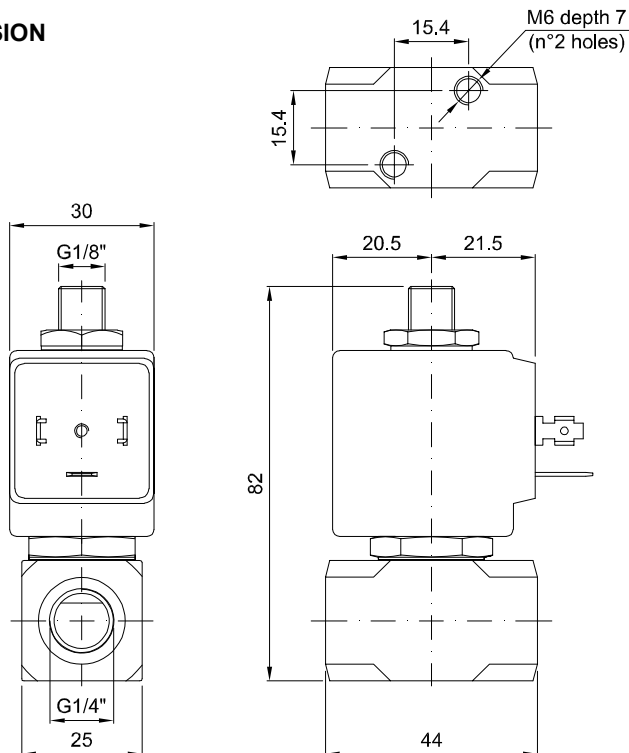


SPARE PARTS LIST

1. Coil fixing nut
2. Coil
3. Plunger
4. Armature tube with core



OVERALL DIMENSION



Weight=0.36Kg

DESCRIPTION

Solenoid valve 2 way normally closed in stainless steel AISI 316 with servo-assisted diaphragm

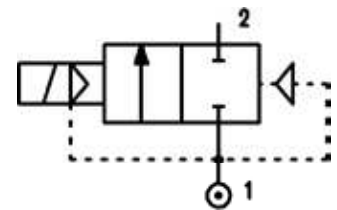
CONSTRUCTION

Body and cover	Stainless steel
Armature tube	Stainless steel
Plunger and core	Stainless steel
Springs	Stainless steel
Seal material	NBR FPM EPDM



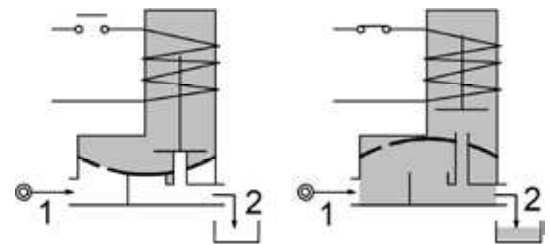
FEATURES

- Minimum differential pressure 0.15 bar
- Maximum allowable pressure* 25 bar
- Maximum fluid viscosity 25cSt (mm²/s)
- Ambient temperature: with class F coil -10°C +55°C
with class H coil -10°C +80°C
- Preferred mounting position with vertical coil above



4

- OPTIONS:**
- Manual override
 - Series 7 explosion proof coil according to ATEX - EExmII
 - Food approval seal material
 - Version with slow closing diaphragm
 - Version for use with oxygen
 - Silver shading ring



CODE ① ②	Connection G ISO 228	Orifice mm	Kv m ³ /h	Differential pressure bar			Nominal power			Coil		Seal ①	Temp. range °C
				Min	Max		AC Inrush	VA Holding	DC Watt	Series	Width		
					AC	DC							
E177C...12///...	3/8"	12	2.2	0.15	15	15	12	8	6.5	3	22	NBR=B	-10 +90
E177D...12///...	1/2"	12	2.5	0.15	15	15						EPDM=E	-10 +140
E177E...18///...	3/4"	18	5.5	0.15	13	13						FPM=V	-10 +130
E177F...25///...	1"	25	10.2	0.15	10	10							

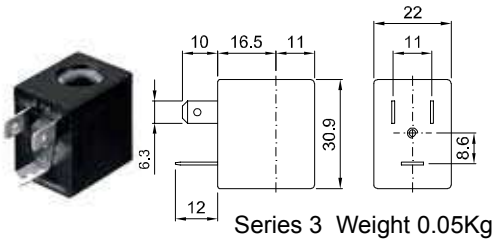
- ① Seal
- ② Coil

Example: E177DB12///301 NBR seal
Coil 24V DC

COILS	Alternating Current 50/60Hz Volt							Direct Current Volt			Electrical connection	Connectors
	12	24	48	110	220 230	240	380	12	24	48		
Series 3 Width 22 Code ②	30A	30B	30C	30D	30E	30F	30G	300	301	302	DIN 46244	PG9 code 10348000

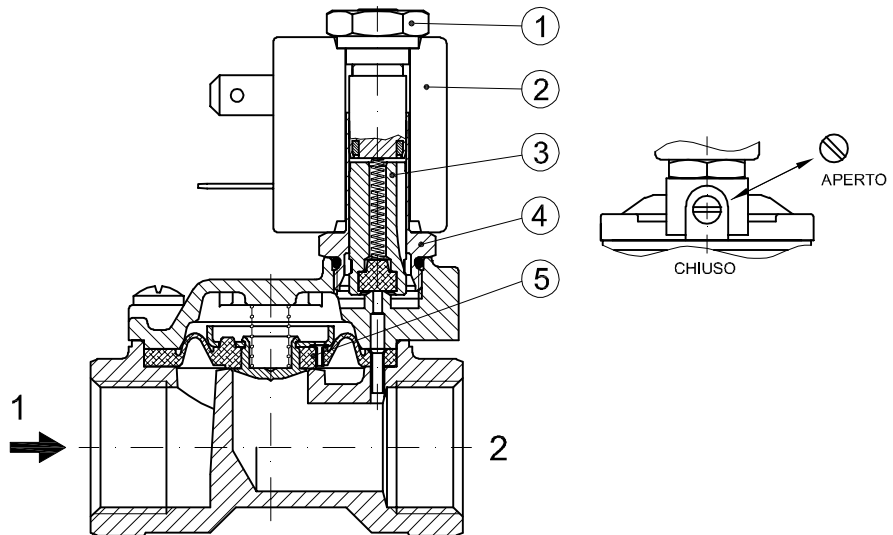
DESCRIPTION
 Class F insulation
 Voltage tolerance
 AC +15% -10%
 DC ± 10%
 Protection class
 IP65 with connector fitted
 IP00 without connector
 Continuous service ED100%

OPTIONS
 Class H insulation
 Cable attached
 Special coil voltage
 Special coil powers

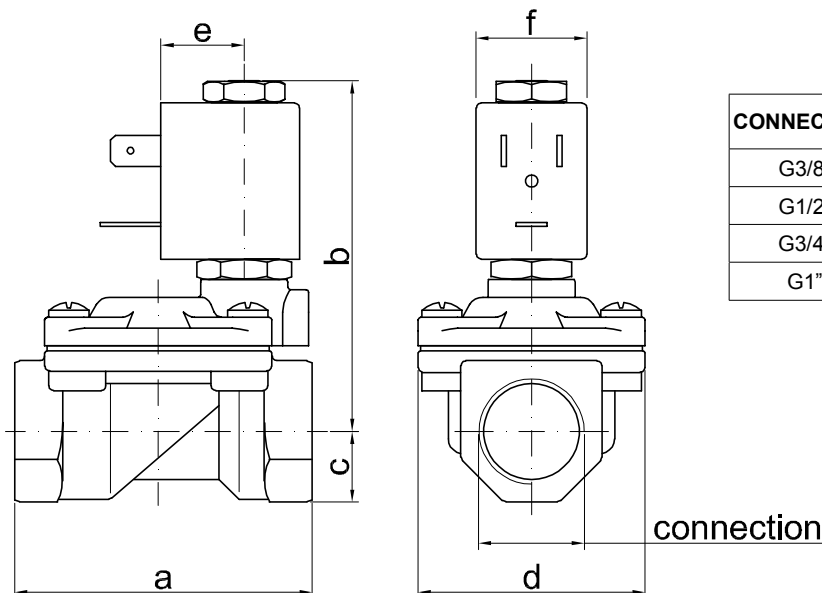


SPARE PARTS LIST

1. Coil fixing nut
2. Coil
3. Plunger
4. Armature tube with core
5. Diaphragm assembly

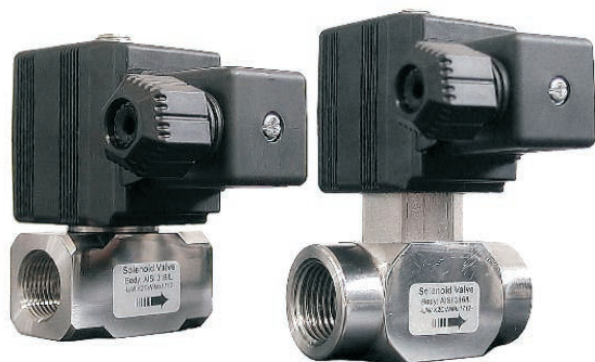


OVERALL DIMENSION



CONNECTION	a	b	c	d	e	f	weight Kg
G3/8"	59	70	11	45	16	22	0.30
G1/2"	59	70	13	45	16	22	0.32
G3/4"	79	76	18	55	16	22	0.55
G1"	96	85	20	72	16	22	0.95

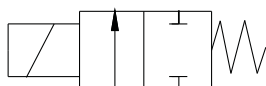
ELETTROVALVOLA 2/2 NORMALMENTE CHIUSA
2/2 NORMALLY CLOSED SOLENOID VALVE



- **Elettrovalvola azione diretta**
Direct action solenoid valve
- **Connessione dal 1/8" al 1/2"G.**
Connection from 1/8 to 1/2"G.
- **Temperatura fino a 180°**
Temperature up to 180°C
- **Fluidi e gas -Aria acqua vapore-**
For fluid and gases -Air water steam-

Non è richiesta una pressione minima di funzionamento.
It's not necessary a minimum working pressure.

Tenuta O-ring tra corpo e canotto, saldatura a 360° del tubo guida, garantiscono affidabilità e durata nel tempo.
O-ring seal between body and guide tube, 360° welding of the tube guid, guarantee endurance and reliability.



2/2 Normalmente chiusa
2/2 Normally closed

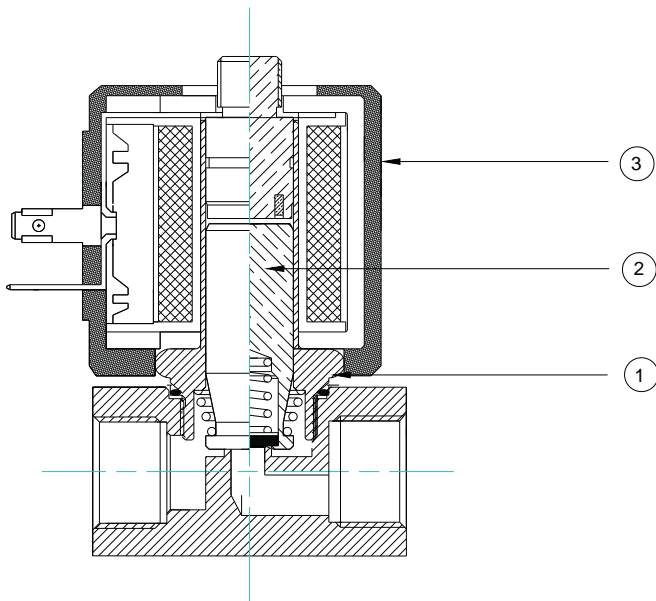
COMPONENTI
COMPONENT PARTS

Corpo: <i>Body:</i>	Acciaio Inox AISI 316 <i>Stainless steel AISI 316</i>
Sede: <i>Orifice:</i>	Acciaio Inox AISI 316 <i>Stainless steel AISI 316</i>
Tubo guida: <i>Guide tube:</i>	Acciaio Inox <i>Stainless steel</i>
Nucleo Mobile: <i>Plunger:</i>	Acciaio Inox IMRE <i>Stainless steel IMRE</i>
Molle: <i>Spring:</i>	Acciaio Inox <i>Stainless steel</i>
Protezione: <i>Insulation:</i>	IP 65 con connettore <i>IP 65 with connector</i>
Connessione: <i>Connection:</i>	DIN 43650/A <i>DIN 43650/A</i>
Bobina: <i>Coil:</i>	SM5-SM2/04 <i>SM5-SM2/04</i>
Materiale bobina: <i>Coil material:</i>	NYLON-RYTON-IXEF <i>NYLON-RYTON-IXEF</i>
Protezione bobina classe: <i>Coil insulation class:</i>	H <i>H</i>
Tenute: <i>Seal:</i>	NBR-FKM-RUBINO
Temperatura: <i>Temperature:</i>	EPDM -20°C +140°C FKM -10°C +155°C PTFE -30°C +180°C RUBINO -40°C+180°C

CARATTERISTICHE:
DETAIL:

	CODE	DN G.	Ø Int mm	kV M3/h	M.O.P.D. bar			T.a.	Power		Inrush		Seal				Weight gr
					min	max			VA AC	W DC	VA AC	W DC	EPDM	FKM	PTFE	RUBINO	
						AC	DC										
MR 32	9515*	1/8"	1,5	0.07	00	25	15	80°	22	12	30	23	•				400
	9516*	1/8"	1,5	0.07	00	25	15	80°	22	12	30	23		•			400
	9517*	1/8"	1,5	0.07	00	25	15	80°	22	12	30	23			•		400
	9518*	1/8"	1,5	0.07	00	25	15	80°	22	12	30	23				•	400
	9520*	1/8"	3,0	0.20	00	15	10	80°	22	12	30	23	•				400
	9521*	1/8"	3,0	0.20	00	15	10	80°	22	12	30	23		•			400
	9522*	1/8"	3,0	0.20	00	15	10	80°	22	12	30	23			•		400
	9523*	1/8"	3,0	0.20	00	15	10	80°	22	12	30	23				•	400
MR 33	9529*	1/4"	2,5	0.13	00	18	12	80°	22	12	30	23	•				390
	9530*	1/4"	2,5	0.13	00	18	12	80°	22	12	30	23		•			390
	9531*	1/4"	2,5	0.13	00	18	12	80°	22	12	30	23			•		390
	9532*	1/4"	2,5	0.13	00	18	12	80°	22	12	30	23				•	390
	9535*	1/4"	4,0	0.38	00	10	7	70°	32	17	40	23	•				390
	9536*	1/4"	4,0	0.38	00	10	7	70°	32	17	40	23		•			390
	9537*	1/4"	4,0	0.38	00	10	7	70°	32	17	40	23			•		390
MR 34	9538*	3/8"	5,0	0.48	00	15	8	70°	32	17	40	23	•				410
	9539*	3/8"	5,0	0.48	00	8	5	70°	32	17	40	23		•			410
	9540*	3/8"	5,0	0.48	00	8	5	70°	32	17	40	23			•		410
	9545*	3/8"	6,4	0.66	00	6	4	70°	32	25	40	32		•			410
	9550*	3/8"	6,4	0.66	00	6	4	70°	32	25	40	32			•		410
MR 35	9505*	1/2"	6,4	0.66	00	6	4	70°	32	25	40	32		•			380
	9508*	1/2"	6,4	0.66	00	6	4	70°	32	25	40	32			•		380
MR 35S	9510*	1/2"	10,0	1.65	00	10	6	70°	32	17	40	23		•			520

Note:- In DC per temperature ambienti superiori a 50°C. le prestazioni possono diminuire. E' sconsigliata l'installazione con la bobina rivolta verso il basso.
 Note: - Performances can decrease in DC with room temperature over 50°C. Installation with turned down coil is not suggested.



RICAMBI
SPARE PARTS

1-Tubo guida: Cod.00170
Guide tube: Cod.00170*30 AISI316

2-Nucleo mobile
Plunger

3-Bobina
Coil

ACCESSORI
ACCESSORIES

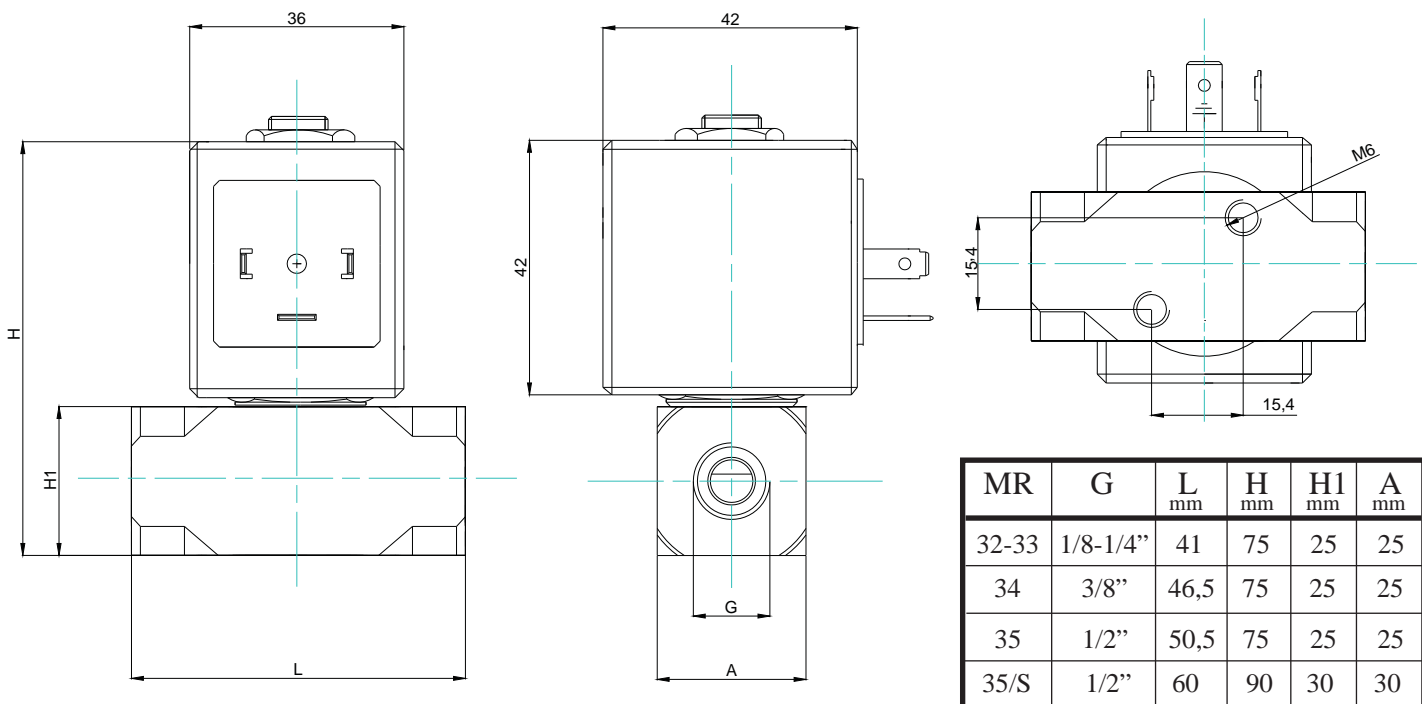


Connettore DIN43650: Cod.02920 Forma A Pg9
Connector DIN43650: Cod.02920 Form A Pg9

OPZIONI
OPTIONAL

Teflonatura tubo guida e nucleo mobile
PTFE Treatment on tube guide, plunger

DIMENSIONI
MEASURES



Le informazioni menzionate sono a titolo indicativo e possono subire variazioni senza preavviso contattare sempre per qualsiasi richiesta il ns. Ufficio tecnico

The above mentioned details are for information only, not warned alterations are possible.

**BOBINE
COILS**

APPROVAL



**COPERTURA NYLON
ENCAPSULATION NYLON**

**COPERTURA RYTON
ENCAPSULATION RYTON**

AC

AC

	Code	
	1580	24 /50Hz 18VA
	1615	110V/50Hz 18VA
Per Ø dal mm 1 al 3 <i>For Ø from mm 1 to 3</i>	1650	220-230V/50Hz 22-25VA
	1658	230V/50Hz 22VA
	1630	240V/50 22VA
	1591	24V/50-60Hz 32-25VA
	1625	110V/50-60Hz 32-25VA
Per Ø dal mm 3 al 4,5 <i>For Ø from mm 3 to 4,5</i>	1640	220V/50-60Hz 32-25VA
	1646	230/50-60Hz 32-25VA
	1638	240V/50-60Hz 32-25VA
	1590	24V/50-60Hz 36-28VA
Per Ø mm 5,5 <i>For Ø mm 5,5</i>	1660	220V/50-60Hz 36-28VA

	Code	
	1585	24 /50Hz 18VA
	1627	110V/50Hz 18VA
Per Ø dal mm 1 al 3 <i>For Ø from mm 1 to 3</i>	1650R	220-230V/50Hz 22-25VA
	1658R	230-240V/50Hz 22VA
	1595	24V/50-60Hz 32-25VA
	1627	110V/50-60Hz 32-25VA
Per Ø dal mm 3 al 4,5 <i>For Ø from mm 3 to 4,5</i>	1645	220V/50-60Hz 32-25VA
	1656R	230/50-60Hz 32-25VA
	1595	24V/50-60Hz 36-28VA
Per Ø mm 5,5 <i>For Ø mm 5,5</i>	1665	220V/50-60Hz 36-28VA

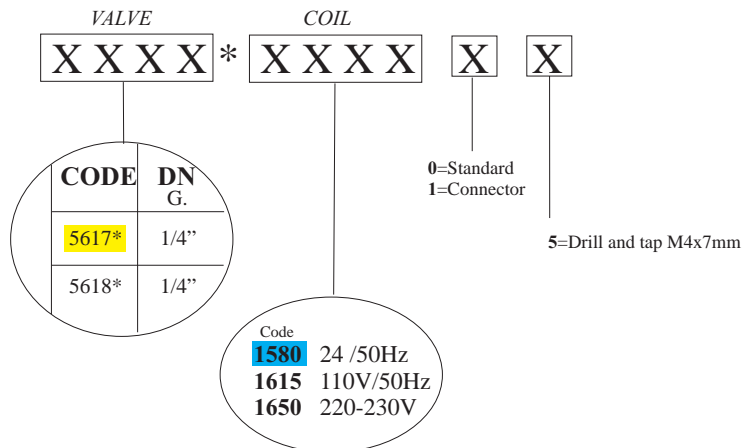
DC

DC

1560	12V DC 12W
1570	24V DC 12W
1575	24V DC 17W
1577	24V DC 27W

1564	12V DC 12W
1571	24V DC 12W
1578	24V DC 27W

CODE ORDER:



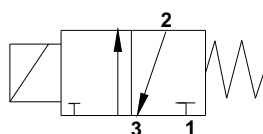
ELETTROVALVOLA 3/2 NORMALMENTE CHIUSA
3/2 NORMALLY CLOSED SOLENOID VALVE



- **Elettrovalvola azione diretta**
Direct action solenoid valve
- **Connessione 1/8" 1/4"G.**
Connection 1/8 - 1/4"G.
- **Temperatura fino a 180°**
Temperature up to 180°C
- **Fluidi e gas -Aria acqua vapore-**
For fluid and gases -Air water steam-

Non è richiesta una pressione minima di funzionamento.
It's not necessary a minimum working pressure.

Tenuta O-ring tra corpo e canotto, saldatura a 360° del tubo guida, garantiscono affidabilità e durata nel tempo.
O-ring seal between body and guide tube, 360° welding of the tube guid, guarantee endurance and reliability.



3/2 Normalmente chiusa
3/2 Normally closed with

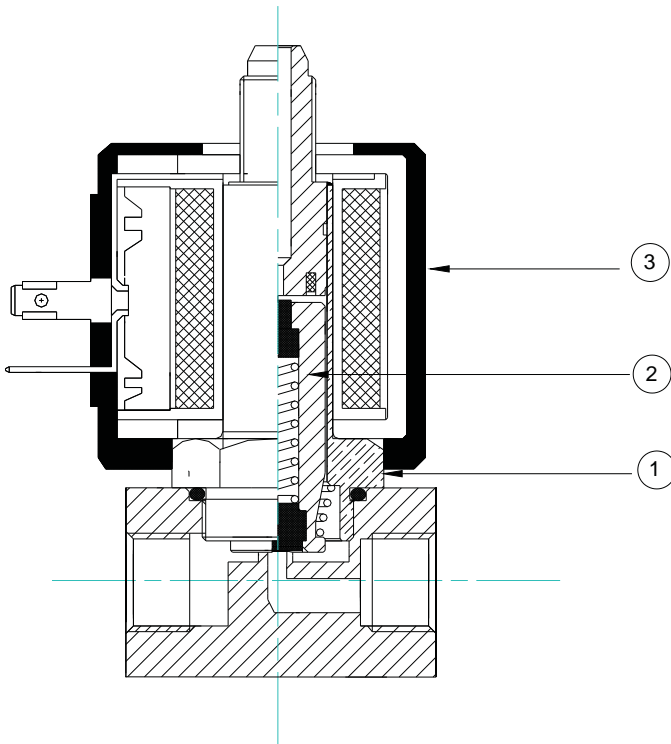
COMPONENTI
COMPONENT PARTS

Corpo: <i>Body:</i>	Acciaio Inox AISI 316 <i>Stainless steel AISI 316</i>
Sede: <i>Orifice:</i>	Acciaio Inox AISI 316 <i>Stainless steel AISI 316</i>
Tubo guida: <i>Guide tube:</i>	Acciaio Inox <i>Stainless steel</i>
Nucleo Mobile: <i>Plunger:</i>	Acciaio Inox IMRE <i>Stainless steel IMRE</i>
Molle: <i>Spring:</i>	Acciaio Inox <i>Stainless steel</i>
Protezione: <i>Insulation:</i>	IP 65 con connettore <i>IP 65 with connector</i>
Connessione: <i>Connection:</i>	DIN 43650/A <i>DIN 43650/A</i>
Bobina: <i>Coil:</i>	SM5-SM2/04 <i>SM5-SM2/04</i>
Materiale bobina: <i>Coil material:</i>	NYLON-RYTON-IXEF <i>NYLON-RYTON-IXEF</i>
Protezione bobina classe: <i>Coil insulation class:</i>	H <i>H</i>
Tenute: <i>Seal:</i>	NBR-FKM-RUBINO
Temperatura: <i>Temperature:</i>	EPDM -20°C +140°C FKM -10°C +155°C PTFE -30°C +180°C RUBINO -40°C+180°C

CARATTERISTICHE:
DETAIL:

CODE	DN G.	Ø Int mm	kV M3/h	M.O.P.D. bar			T.a.	Power		Inrush		Seal				Weight gr
				min	max			VA AC	W DC	VA AC	W DC.	NBR	FKM	RUBINO		
					AC	DC										
9815*	1/8"	1,5	0.07	00	15	15	80°	22	12	30	23	•				400
9816*	1/8"	1,5	0.07	00	15	15	80°	22	12	30	23		•			400
9817*	1/8"	1,5	0.07	00	15	15	80°	22	12	30	23			•		400
9820*	1/4"	2,5	0.12	00	10	10	80°	22	12	30	23	•				400
9821*	1/4"	2,5	0.12	00	10	10	80°	22	12	30	23		•			400
9822*	1/4"	2,5	0.12	00	10	10	80°	22	12	30	23			•		400
9840*	1/8"	4,0	0.38	00	4	4	80°	22	12	30	23	•				400

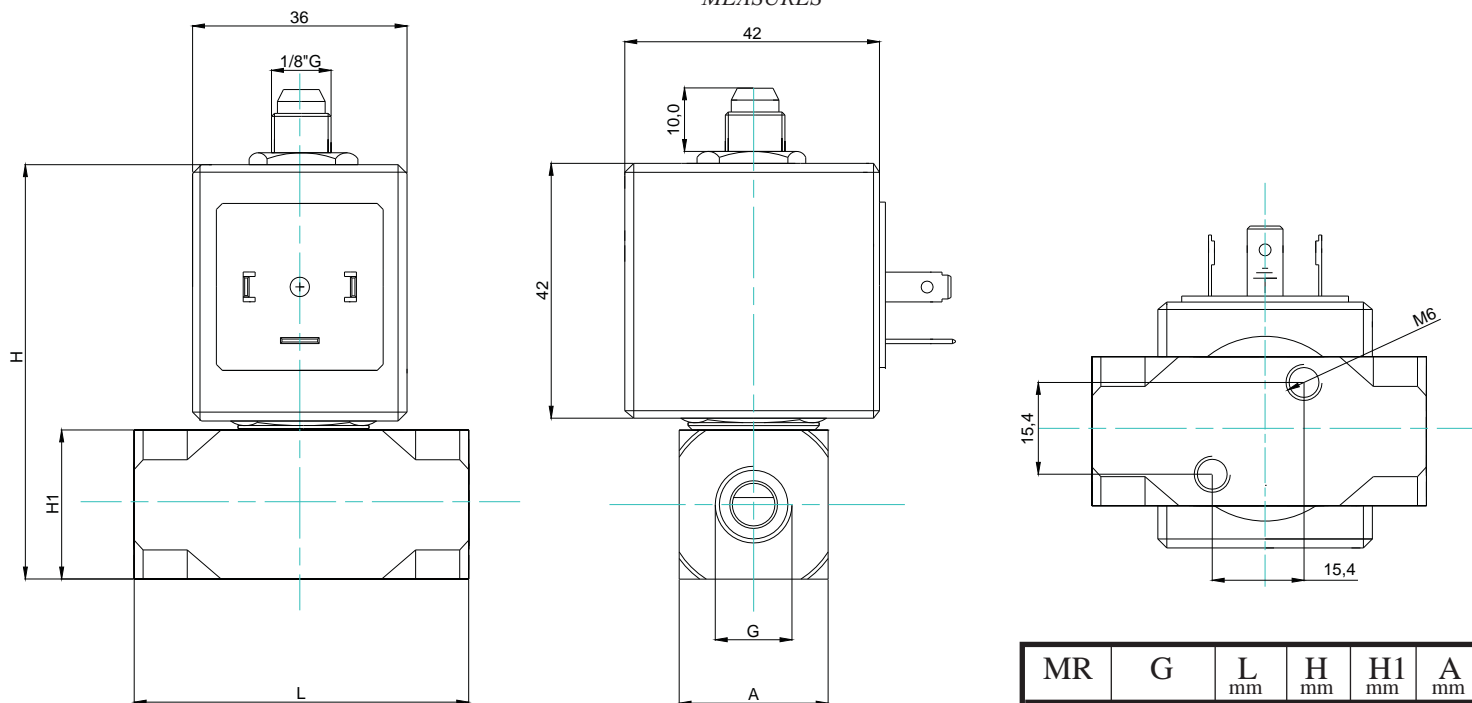
Note:- In DC per temperature ambienti superiori a 50°C. le prestazioni possono diminuire. E' sconsigliata l'installazione con la bobina rivolta verso il basso.
Note: - Performances can decrease in DC with room temperature over 50°C. Installation with turned down coil is not suggested.



RICAMBI
SPARE PARTS

- 1-Tubo guida:** Cod.00170
Guide tube: Cod.00170*30 AISI316
- 2-Nucleo mobile**
Plunger
- 3-Bobina**
Coil

**DIMENSIONI
MEASURES**



MR	G	L mm	H mm	H1 mm	A mm
32-33	1/8-1/4"	41	75	25	25
34	3/8"	46,5	75	25	25
35	1/2"	50,5	75	25	25
35/S	1/2"	60	90	30	30

**ACCESSORI
ACCESSORIES**



Connettore DIN43650: Cod.02920 Forma A Pg9
Connector DIN43650: Cod.02920 Form A Pg9

**OPZIONI
OPTIONAL**

Teflonatura tubo guida e nucleo mobile
PTFE Treatment on tube guide, plunger

BOBINE
COILS

APPROVAL



COPERTURA NYLON
ENCAPSULATION NYLON

COPERTURA RYTON
ENCAPSULATION RYTON

AC

AC

	Code	
	1580	24 /50Hz 18VA
	1615	110V/50Hz 18VA
Per Ø dal mm 1 al 3 <i>For Ø from mm 1 to 3</i>	1650	220-230V/50Hz 22-25VA
	1658	230V/50Hz 22VA
	1630	240V/50 22VA
	1591	24V/50-60Hz 32-25VA
	1625	110V/50-60Hz 32-25VA
Per Ø dal mm 3 al 4,5 <i>For Ø from mm 3 to 4,5</i>	1640	220V/50-60Hz 32-25VA
	1646	230/50-60Hz 32-25VA
	1638	240V/50-60Hz 32-25VA
	1590	24V/50-60Hz 36-28VA
Per Ø mm 5,5 <i>For Ø mm 5,5</i>	1660	220V/50-60Hz 36-28VA

	Code	
	1585	24 /50Hz 18VA
	1627	110V/50Hz 18VA
Per Ø dal mm 1 al 3 <i>For Ø from mm 1 to 3</i>	1650R	220-230V/50Hz 22-25VA
	1658R	230-240V/50Hz 22VA
	1595	24V/50-60Hz 32-25VA
	1627	110V/50-60Hz 32-25VA
Per Ø dal mm 3 al 4,5 <i>For Ø from mm 3 to 4,5</i>	1645	220V/50-60Hz 32-25VA
	1656R	230/50-60Hz 32-25VA
	1595	24V/50-60Hz 36-28VA
Per Ø mm 5,5 <i>For Ø mm 5,5</i>	1665	220V/50-60Hz 36-28VA

DC

DC

1560	12V DC 12W
1570	24V DC 12W
1575	24V DC 17W
1577	24V DC 27W

1564	12V DC 12W
1571	24V DC 12W
1578	24V DC 27W

CODE ORDER:

